

PREVEX

EasyClean

Water trap for bathroom

New!
Now with
a 40 mm outlet
connection.





Clean the
water trap
in **20**
seconds!

EasyClean, the new patented water trap. Fast and easy to clean without removing the water trap, thus eliminating leakage and water damage.

Say goodbye to:

- harmful chemicals
- buckets and rags
- unpleasant working positions



Lift the water trap from the bottom valve.



Rinse under running water.



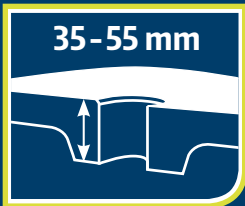
Put the water trap back in place.

**New
design!**

NEW!
Now with a 40 mm
outlet connection.

The EasyClean water traps is compatible with a 35-55mm thick sink with integrated overflow.

35 - 55 mm



Outlet connection 40 mm,
with a 32 mm adapter.



PREVEX
EasyClean

The new EasyClean 40 design gives you a possibility to personalize the water trap with different coloured designrings.



The designring is available as an accessory in black or chrome.



The designring can also be customized with a logo, minimum order of 1000 pcs.

The EasyClean is available in 3 different packaging options and a shop display.



EasyClean cardboard box,
118 x 72 x 180mm



EasyClean, popup
PE-bag, 250 x 355mm

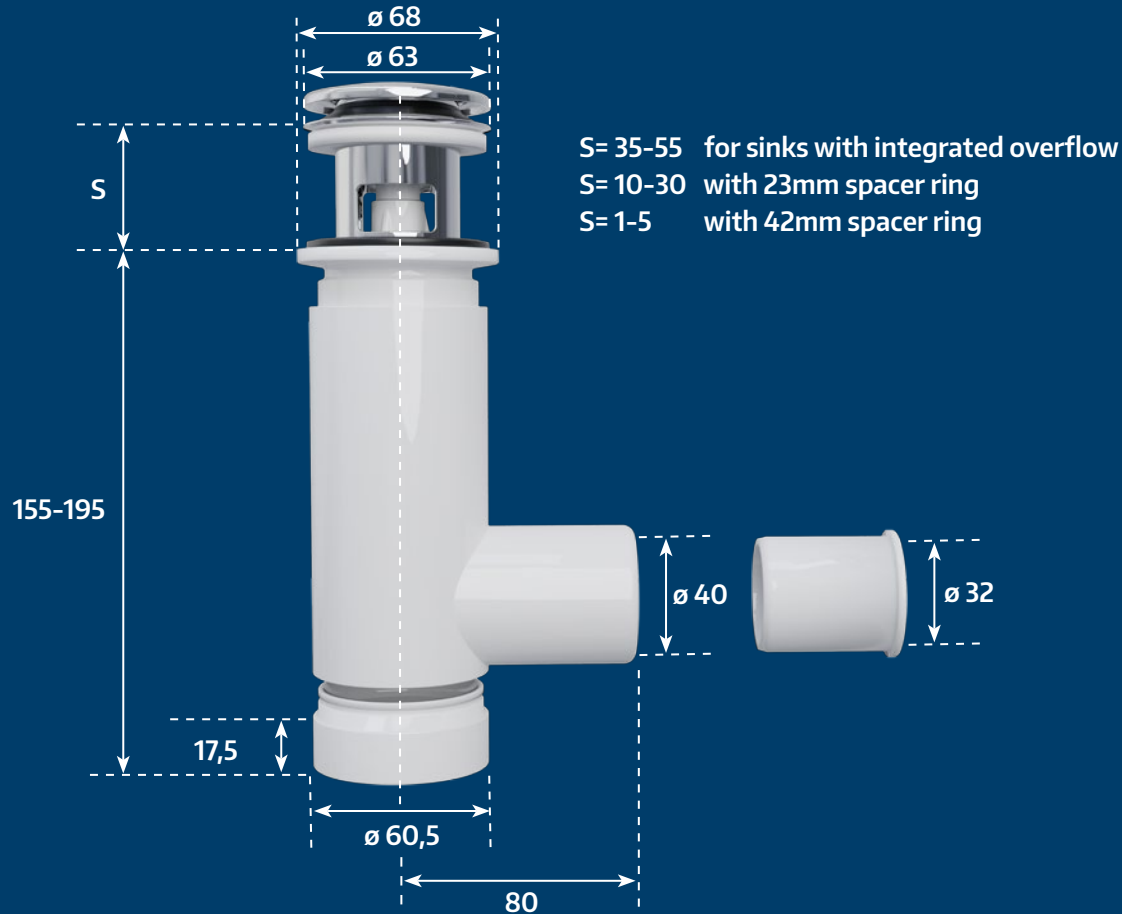


EasyClean with flexible outlet-
pipe, PE-bag, 250 x 520mm



EasyClean shop display,
600 x 312 x 1800mm

EasyClean 40/32 technical specifications



EasyClean accessories

Outlet pipe:



Water trap:



Pop-up plugs:



Plug:



Strainer plate:



Overflow-kits for sinks without an integrated overflow:



Designrings:



PREVEX

The water trap expert.

Oy Prevex Ab

FI-66900 Nykarleby, Finland

Tel. +358 (0)6 781 8000

sales@prevex.com

www.PREVEX.com

Made in
FINLAND

